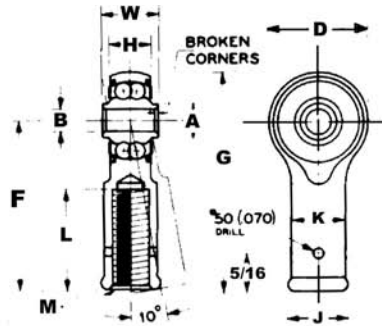
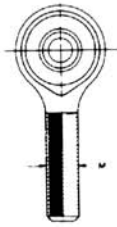


BEARINGS



AN 946 MS 21151
MALE THREADED SHANK



AN 951 MS 21153
FEMALE THREADED SHANK



AN948 HOLLOW SHANK
SOLID SHANK



MS21152
MS21150

Bearing No.	MS Dash No.	Bore	Outside Diam.	Width Inner Ring	Width Outer Ring	Shoulder Diam. Inner Ring (Approx.)	Bore Center to end of Shank	Overall Dimension	Thread Length of Shank Hole Depth	Bead or Hex Diam. Across Flats	Shank Diam.	M Thread Or Drill Size Inches		Balls		Lbs. Approx.	Weight Type Seal	Price Each	
		+0.000 -0.005 In.	+0.010 -0.010 In.	+0.000 -0.010 In.	+0.010 -0.010 In.	In.	+0.010 -0.010 In.	+0.010 -0.010 In.	In.	In.	In.	Size	Pitch Diam.	No.	Size				
MALE THREAD MS 21151																			
												10-32	.1697	20	1/8"	.04	Solid Seal	.	
RE3ML3	-1	.1900	.781	.437	.328	.281	1.375	1.766	.750			LH	.1667						
												10-32	.1697						
RE3MR3	-2	.1900	.781	.437	.328	.281	1.375	1.766	.750			RH	.1667	20	1/8"	.04	Solid Seal	.	
												3/8"-24	.3479						
RE3M6A	-3	.1900	.969	.500	.407	.304	2.031	2.516	1.313			RH	.3449	24	1/8"	.05	Solid Seal	.	
												3/8"-24	.3479						
RE3M6-2N	-4	.1900	.781	.437	.328	.281	1.375	1.766	.750			LH	.3449	20	1/8"	.05	Solid Seal	.	
												3/8"-24	.3479						
REP4M6	-8	.2500	.938	.593	.438	.345	1.875	2.344	1.125			RH	.3449	22	5/32"	.07	Plyo-Seal	.	
												3/8"-24	.3479						
REP4ML6	-9	.2500	.938	.593	.438	.345	1.875	2.344	1.125			LH	.3449	22	5/32"	.07	Plyo-Seal	.	
REP5M6	-10											3/8"-24	.4050						
RE5M10												5/8"-18	.5889				Solid Seal	.	
FEMALE THREAD MS 21153																			
												1/4"-28	.2298						
REP3N*	-1	.1900	.781	.437	.328	.281	1.375	1.766	.750	.438	.375	RH	.2268	20	1/8"	.05	Plyo-Seal	.	
												5/16"-24	.2884						
REP3N2***	-2	.1900	.781	.437	.328	.281	1.375	1.766	.750	.438	.438	RH	.2854	20	1/8"	.06	Plyo-Seal	.	
RE3F4	-3	.1900	.781	.500	.328	.281	1.375	1.766	.750	.438	.375	RH	.2268	20	1/8"	.06	Solid Seal	.	
												5/16"-24	.2884						
REP4F5	-6	.2500	.938	.593	.438	.345	1.469	1.938	.750	.438	.438	RH	.2854	22	5/32"	.07	Plyo-Seal	.	
HOLLOW SHANK MS 21152																			
REP3H5**	-1	.1900	.781	.437	.328	.281	1.375	1.766	.875		.435		.272	20	1/8"	.06	Plyo-Seal	.	
RE4H6																	Solid Seal	.	
REP4H6	-2	.2500	.938	.593	.438	.345	1.875	2.344	1.219		.625		.386	22	5/32"	.12	Plyo-Seal	.	
REP4H8	-3	.2500	.938	.593	.438	.345	1.625	2.093	.875		.625	33/64	.515	22	5/32"	.08	Plyo-Seal	---	
SOLID SHANK MS21150																			
REP4S10	-2	.2500	.938	.593	.438	.345	1.875	2.344			.625		SOLID	22	5/32"	.16	Plyo-Seal	.	

AP

*Dimensionally Same as Heim F34-14
 **Dimensionally Same as Heim F31-14
 ***Dimensionally Same as Heim F35-14

Bearings with the letter "P" in part number are new manufacture, with Plyoseals.
 Bearings without the letter "P" in part number are new surplus, with solid metal seals.