

CESSNA PARTS

(FAA/PMA APPROVED)

LEVER TYPE WINDOW LATCHES & COMPONENT PARTS



Latch Assembly Applicable on:
120, 140, 140A, 170, 170A,
170B, (SN 20267 thru 25372)
P/N 05-07100.....

Latch Assembly Applicable on:
170B (SN 25373 & on),
172, 175, 180 & 182
P/N 05-07105.....

COMPONENT PARTS

Arm (for -2 assy.)(U0413362-8).....	P/N 05-07110.....
Arm (for -3 assy.)(U0413362-9).....	P/N 05-07115.....
Bracket (U0413362-13).....	P/N 05-07120.....
Knob (U0413359).....	P/N 05-07125.....
Extension Arm (U0413362-12).....	P/N 05-07130.....
Angle (left side)(U0413362-10).....	P/N 05-07135.....
Angle (right side)(U0413362-11).....	P/N 05-07140.....
Pin (U0413362-14).....	P/N 05-07145.....
Pin (U0413362-16).....	P/N 05-07150.....
Pin (U0413362-15).....	P/N 05-07155.....
Spacer (U0413362-7).....	P/N 05-07160.....
Washer (2 req'd).....	P/N AN960-10.....
Washer (2 req'd).....	P/N AN960-10L.....
Screw.....	P/N THA4-6.....

AP

CABIN ENTRY STEP FOR CESSNA AIRCRAFT



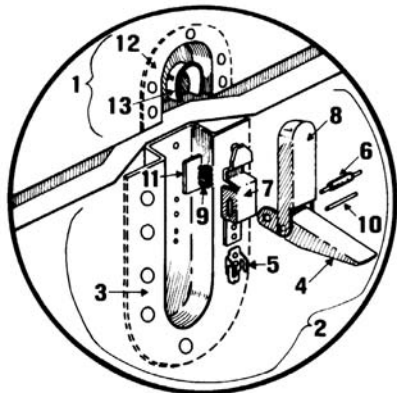
Cabin Entry Step for Cessna Aircraft.
Applicable to:

170, 170A, B - 18000 thru 27169
180,180A, B, C, D, E, F - 30000 thru 18051312
185, 185A, B, C, D, E, A185E* - 1850001 thru 1851300

* Partial model eligibility

aLeft Cabin Access.....	P/N 05-04176.....	\$360.95
Right Cabin Access.....	P/N 05-04177.....	\$360.95

COWL LATCHES AND DETAILS FOR 120-140 AND 170 SERIES



HOOK & LEVER ASSEMBLIES

1) Hook Assembly.....	P/N 05-07200.....
2) Lever Assembly.....	P/N 05-07205.....

DETAIL PARTS

3) Recess.....	P/N 05-07210.....
4) Lever.....	P/N 05-07215.....
5) Clip.....	P/N 05-07220.....
6) Pin.....	P/N 05-07225.....
7) Housing.....	P/N 05-07230.....
8) Hook.....	P/N 05-07235.....
9) Spring.....	P/N 05-07240.....
10) Pin.....	P/N 05-07245.....
11) Shim.....	P/N 05-07250.....
12) Recess.....	P/N 05-07255.....
13) Hook.....	P/N 05-07260.....

AILERON HINGE FOR CESSNA



FAA - PMA APPROVED AS0523816-1
P/N 05-00048..... ea.

150 SPINNER ASS'Y (THROUGH CESSNA 150 MODEL K ONLY)



PN 05-09030

Spinner Dome P/N 05-09030.....	
Front Plate (original Cessna) P/N 05-09035.....	
Rear Plate P/N 05-09040.....	
170B & 172 1956 thru 1959 SPINNER ASS'Y.	
Spinner Bulkhead.... P/N 05-07265.....	
Spinner Dome..... P/N 05-07270.....	
Spinner Assembly... P/N 05-07275.....	
172 SPINNER (Early Models)	
Spinner Dome (all aluminum to replace plastic) P/N 05-09045.....	
Front Plate P/N 05-09050.....	
Rear Plate P/N 05-09055.....	
172 spinner (Late Models) (For 172, I, K, L, M, N, P, & Q)	

Dome** (FAA/PMA).....	P/N 05-07280.....
Front Plate* (FAA/PMA).....	P/N 05-07285.....
Back Plate* (original Cessna part).....	P/N 05-07290.....

*Check SN for applicability **Dome also approved on 172G & H

CESSNA 182 ALUMINUM SPINNERS

These aluminum spinners and spinner support spacers are FAA approved for installation on several models of Cessna 182 series aircraft using McCauley two blade constant speed propellers. The Spinner Dome replaces original Cessna p/n 0752637K200, 0752637-5 and 0752637-11. The Spinner Spacer replaces original Cessna p/n 0752620-1 and 0752620-3. The Spinner Dome is approved on the Cessna 182H, 182J, 182K, 182L, 182M, 182N, 182P, 182Q and the 182R. The Spinner Support Spacer is approved on Cessna Models 180H, 180J, 180K, A185E, A185F, 182E, 182F, 182G, 182H, 182J, 182K, 182L, 182M, 182N, 182P, 182Q, 182R, 210-5 (205), 210-5A (205A), 206, U206, P206 and the U206A.

Spinner Dome U0752637K200.....	05-01901.....
Spinner Sport Spacer U0752620-3.....	05-01902.....

CESSNA TRIM CONTROL CHAINS



We carry FAA-PMA approved replacement trim control chains for Cessna 120 through 210 series aircraft. Call the Cessna/Piper parts specialist at Aircraft Spruce (1-877-4-SPRUCE) for assistance in determining the correct chain for your aircraft.

Model No.	Part No.	Price Ea.
ASS2294-25	05-00289	.
ASS2295-25-185	05-00291	.
ASS2295-25-249	05-00292	.
ASS2295-25-321	05-00293	.
ASS2295-25-43	05-00294	.
ASS2295-25-47	05-00295	.
ASS2295-25-61	05-00296	.
ASS2295-25-63	05-00297	.
ASS2295-25-67	05-00298	.
ASS2295-25-70	05-00299	.
ASS2295-25-71	05-00301	.
ASS2295A25-111	05-00302	.
ASS2295P25-113	05-00303	.
ASS2295P25-155	05-00304	.
ASS2295P25-159	05-00305	.
ASS2295P25-185	05-00306	.
ASS2295P25-321	05-00307	.
ASS2295P25-47	05-00308	.
ASS2295P25-55	05-00309	.
ASS2295P25-59	05-00311	.
ASS2295P25-63	05-00312	.
ASS2295P25-67	05-00313	.
ASS2295P25-69	05-00314	.
ASS2295P25-71	05-00315	.
AS0432138-2	05-00316	.

CESSNA WHEEL PANT MOUNTING PLATES

These FAA-PMA approved mounting plates are anodized for improved corrosion resistance and will save over \$100 compared to factory mounting plates. Approved with partial eligibility for the Cessna 150, 152, and 172. Verify approval for your aircraft with Aircraft Spruce prior to ordering.



Cessna P/N	Our P/N	Price Each
0441225-1 (Left).....	05-01497.....	
0441225-2 (Right).....	05-01498.....	
0441220-1 (Left).....	05-01499.....	
0441220-2 (Right).....	05-01501.....	