

# BING CARBURETORS



## COMPLETE CARBURETORS – TYPE 54

### To Order, Specify:

1. Model indicated by engine number 277, 377, 447, 503, or 532.
2. With intake silencer or Without intake silencer.
3. Single Carb or Dual Carb.
4. Hand Choke or Remote Choke.

**Model # 54/36/2040**

P/N 07-00303 .....

## TYPE 54 REBUILD KIT

- #17 Top O Ring
- #29 Bowl Gasket
- #25 Hinge Pin
- #21 Cable Grommet
- #7 Air Screw O Ring
- #26 Float Needle
- #10 Sieve Sleeve (Screen)

P/N 07-00304 .....

## TYPE 54 FIX-IT KIT

- #12 New Spring Cup
- #56 Jet Needle O Ring
- #11 Clip

P/N 07-00305 .....

## COMPLETE CARBURETORS – TYPE 84



### To Order, Specify:

1. Model indicated by engine number 277, 377, 447, 503, or 532.
2. With intake silencer or Without intake silencer.
3. Single Carb or Dual Carb.
4. Hand Choke or Remote Choke.

**Model # 84/32/3437**

P/N 07-00306 .....

## TYPE 84 REBUILD KIT

- #17 Top O Ring
- #29 Bowl Gasket
- #25 Hinge Pin
- #21 Cable Grommet
- #7 Air Screw O Ring
- #26 Float Needle
- #10 Sieve Sleeve (Screen)

P/N 07-00307 .....



## ROTAX FLOAT & BOWL KIT

This float and bowl kit replaces a single float system. Includes float needle valve, clip float needle, float pin, float bracket, float chamber, and the float.

P/N 261-010 .....

## BING CARBURETOR ACCESSORIES

- Bing Remote Choke Kit (w/8' cable) ..... P/N 07-00308 .....
- Bing Remote Choke Kit (w/o cable) ..... P/N 07-00309 .....
- Bing Aircraft Parts manual ..... P/N 07-00310 .....

## CARBURETOR SYNCHRONIZATION



### CARMATE

Quick & easy synchronizing by direct comparison of a set of carbs / Fuel Injector throttle bodies. Range adjustable from 2 to 0,05cmHg per LED. Hook up 2 or 5 cylinder with the optional adapter kit.

P/N 07-01265 .....

### SYNCHROMATE

Precise synchronizing by direct comparison of a set of carbs / Fuel Injection throttle bodies. Fixed resolution of 0,5cmHg. Includes absolute vacuum & 'wireless' RPM measurement. Hook up 3 or 4 cylinders with the optional adapter kit.

PN 07-01266 .....

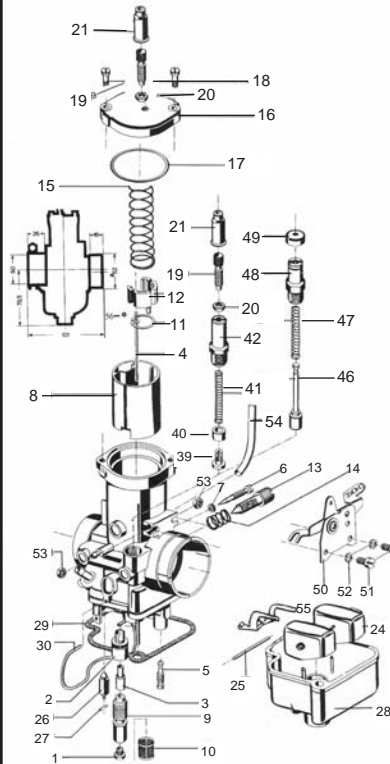


### 4-CHANNEL ADAPTER KIT

Converts the SynchroMate or CarbMate into a 4 carb/throttle valve synchroniser. This easy-to-mount & easy-to-use kit allows connection of SynchroMate's or CarbMate 2 channels (tubes) to 4 carbs / throttle valves at once.

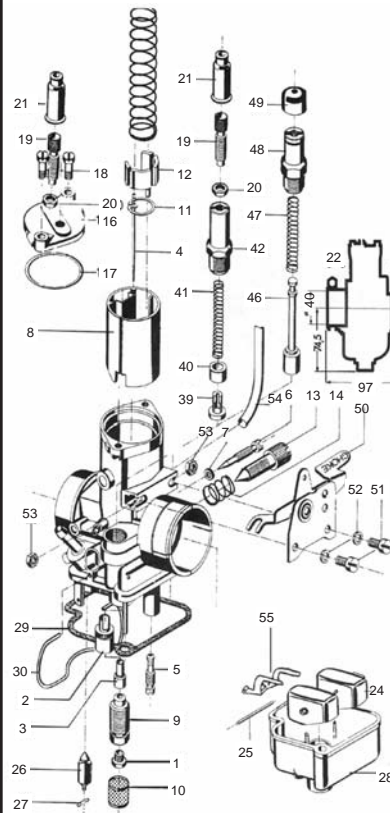
PN 07-01267 .....

## REPLACEMENT PARTS – TYPE 54



No.	Part No.	Description	Price
1	268-978-998	Main Jet	.
2	251-554	Atomizer	.
3	963-691-699	Needle Jet	.
4	963-711-719	Jet Needle	.
5	963-140-147	Idler Jet	.
6	963-155	Air Screw	.
7	831-710	O Ring	.
8	963-679	Piston	.
9	963-700	Mixing Tube	.
10	261-625	Sieve Sleeve	.
11	963-500	Clip	.
12	827-345	Stock Spring Cup	.
12	827-347	New Style Spring Cup	.
13	963-160	Mix Screw	.
14	938-640	Spring	.
15	938-655	Slide Spring	.
16	963-720	Cover Plate	.
17	831-450	O Ring	.
18	241-430	Screw	.
19	241-440	Adjuster	.
20	942-541	Nut	.
21	260-370	Grommet	.
24	861-181	Indep. Float	.
25	929-700	Pivot Pin	.
26	261-705	Float Needle	.
27	261-710	Clip	.
28	261-010	Bowl Kit (bowl,24-27,55)	.
29	830-720	Gasket	.
30	963-180	Bowl Clip	.
39	963-740	Piston	.
40	268-850	Sleeve	.
41	661-050	Spring	.
42	963-750	Housing	.
46	268-847	Piston	.
47	239-730	Spring	.
48	261-770	Housing	.
49	260-490	Rubber Cap	.
50	261-755	Choke Lever	.
51	240-791	Screw(51) &	.
52	945-750	Washer(52)	.
53	261-200	Nut	.
54	256-035	Vent Tube	.
55	861-190	Float Arm	.
56	831-715	Jet Needle O Ring	.

## REPLACEMENT PARTS – TYPE 84



No.	Part No.	Description	Price
1	268-980	Main Jet 135	.
2	261-692	Atomizer	.
3	261-606	Needle Jet 262	.
4	261-643	Jet Needle 8H1	.
5	963-140	Idler Jet 50	.
6	963-155	Air Screw	.
7	831-710	O Ring	.
8	261-635	Piston	.
9	963-130	Jet Stock	.
10	261-625	Screen	.
11	261-650	Holding Plate	.
12	227-635	Spring Cup	.
13	963-160	Mix Screw	.
14	938-640	Spring	.
15	239-700	Slide Spring	.
16	261-660	Cover	.
17	261-670	O Ring	.
18	241-430	Screw	.
19	241-440	Adjust. Screw	.
20	942-541	Nut	.
21	260-370	Grommet	.
24	963-192	Float	.
25	929-700	Pin	.
26	261-705	Float Needle	.
27	261-710	Clip	.
28	963-170	Bowl	.
29	830-720	Gasket	.
30	963-180	Bowl Clip	.
39	963-740	Piston	.
40	268-850	Sleeve	.
41	661-050	Spring	.
42	963-750	Housing	.
46	268-847	Piston	.
47	239-730	Spring	.
48	261-770	Housing	.
49	260-490	Rubber Cap	.
50	261-750	Lever	.
51	240-791	Screw(51) &	.
52	945-750	Washer(52)	.
53	261-200	Nut	.
54	256-033	Vent Tube	.