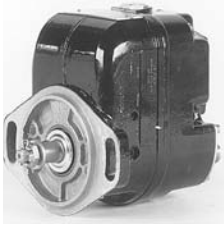


BENDIX-SCINTILLA MAGNETOS



BENDIX MAGNETOS (Outright Purchase)

S4LN-20 (RH) P/N 10-600644-1 S4LN-21 (LH) P/N 10-500514-1

All above magnetos have impulse coupling.

REMANUFACTURED BENDIX MAGNETOS

S4LN-20(RH)	10-51360-29R	S4LN-21	10-51360-26R	D3000	10-68255-11R
S4LN-21(LH)	10-51360-37R	S4LN-21	10-51360-37R	1200	10-68255-14
200 Series	10-16305-9	1200	10-34937-4		10-34931-1
	10-51365-47R	D3000	10-68256-11		10-51360-27R
	10-51360-28R		10-51365-39		10-79020-10

Exchange Price. Add \$180.00 core charge to price above. Refundable with return of rebuildable exchange magneto.

ALL MODEL NUMBERS AVAILABLE

BENDIX MAGNETO ENGINE APPLICATIONS

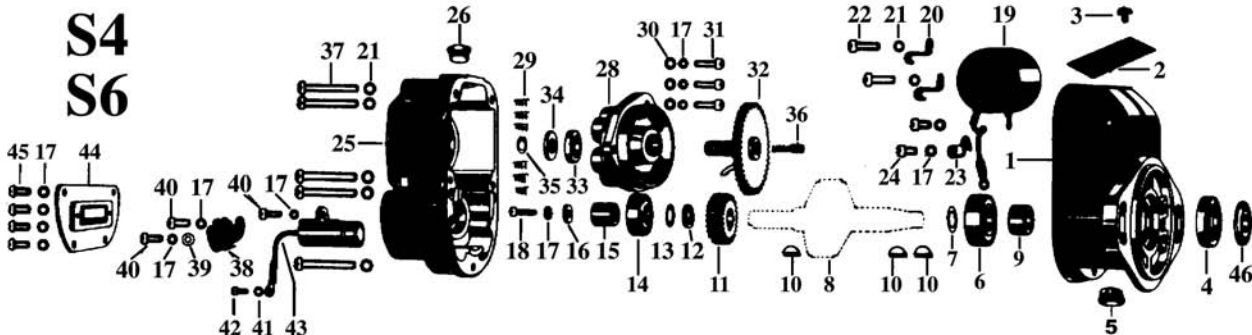
Make	Engine Model	Magneto Type	Magneto Replacement	Units per Engine
Continental	A-65-8, A-75-8,	S4RN-20	10-51360-27 (Rt. Side)	1
	C-75-8, C-85-8 with original crankcase	S4RN-21	10-51360-28 (Lt. Side)	1
	A65-8, A-75-8, C-75-8, C-85-8 with current crankcase castings No. 6794 & No. 6795	S4RN-21	10-51360-28	2
	C-75-12F, C-85-8F, C-85-12F, C-90-12,	S4LN-21	10-51360-26	2
	C-115, C-125-2, C-145-2, C-145-4	S6LN-21	10-51365-39	2
	E-165-2, E-185-2 (above S/N 10111) E-185-3, E-185-9 (above S/N 5937) (above S/N 20922), E-225-4, E-225-8 (all), O-470-7 (above S/N 5937)	S6LN-20	10-51365-43	2
	GO-300A, GO-300B	S6RN-21	10-51365-35	2
	O-470-2, -4, -13, -A, -B, -E, -G, -J, -K, -L, -M, BGSO-526-A	S6RN-25	10-79020-8	2
	O-470-13A	S6LN-23	10-52350-20	2
	PF-150-2, -6 Packette	S6LN-23	10-52350-20	1
Franklin	6A4-150-B3, 6A4-165-B3	S6RN-21		2
	6V4-178-B3, -B33, O-335-2, -3	S6RN-21	10-51365-48	2

Make	Engine Model	Magneto Type	Magneto Replacement	Units per Engine
Franklin	6V4-200-C32, -C33, O-335-2, -3, -5, -6	S6RN-23	10-52350-19	2
	6A4-200-C6	S6RN-23	10-52350-21	2
	††O-145-B2, -B3, -C2, -C3, ††O-235-C,	S4LN-20	10-51360-29	1
Lycoming	O-235-C1, -C1A,	S4LN-21	10-51360-30	1
	O-320-A1A, -A2A, -B1A, -B2A, O-340-A, -A1A,	S4LN-21	10-51360-30 (25° Lag) or	2
	-A2A, -B1A, B2A, O-360-A, -A1A, -A1B, -B1A, -B2A	S4LN-21	10-51360-25 (35° Lag)	2
	O-290-G (single ignition)	S4LN-21	10-51360-25	1
	GO-435-C2, -C2A, -C2B, -C2B2, -C2C, -C2E, GO-480, -B, -B1A6, -B1C,	S6LN-20	10-51365-31	1
	-B1D, -C1A, -C1D6, -C2E6, -F1A6, -F2A6, -F3A6, -F4A6	S6LN-21	10-51360-32	1
	O-435-19, -20, VO-435A, -A1A, -A1B, -A1C, -A1D, GO-480-C1B6, -D1A,	S6LN-20	10-51365-33	1
	-G1B6, GSO-480-A1A6, -A1C6, -B1A6, -B1B6, -B1C6	S6LN-21	10-51365-34	1
	O-435-6, -6A, -23, -23A,	S6LN-22	10-52350-22	1
	-23B, -A1C (optional), O-480-1	S6LN-23	10-52350-23	1
O-435-17, GO-435-C2, -C2A, -C2B, -C2D,	S6LN-20	10-51365-44	1	
GO-480-B1, -B1B, -C2C6, -F3B6, -F4B6	S6LN-21	10-51365-45	1	
	O-540	S6LN-20	10-51365-46	1
		S6LN-21	10-51365-47	1

*See Listing Below.

New P/N 10-357584. *New P/N 10-357586.

PARTS COMMON TO S4N & S6N MAGNETOS



Ref. No.	Part No.	Description	Price Ea.
1	10-50727Y	Housing - Magneto	
2	10-400012	Plate - Mag Ident	
3	10-22067	Drive Screw - Ident Plate	
4	10-357592	Oil Seal - Drive Shaft	
5	10-157134	Vent - Mag Housing	
6	10-81806	Bearing - Mag, Drive End	
7	2-161-1	Shim Washer - .0025"	
	2-161-2	Shim Washer - .004"	
	2-161-3	Shim Washer - .005"	
	2-161-4	Shim Washer - .008"	
	2-161-5	Shim Washer - .010"	
	2-161-6	Shim Washer - .012"	
	-----	(Drive End Bearing)	
8	-----	Magnet - Rotating	
9	10-25788	Bushing - Drive Shaft	
10	10-90788-5	Key - Woodruff	
11	10-157123Y	Gear-Distrib., Small (S4)	
11A	10-157120Y	Gear-Distrib., Small (S6)	
12	10-3503	Spacer-Bkr End Bearing	
13	2-199-1	Shim Washer - .002"	
	2-199-2	Shim Washer - .004"	

Ref. No.	Part No.	Description	Price Ea.
13	2-199-3	Shim Washer - .005"	
	2-199-4	Shim Washer - .008"	
	2-199-5	Shim Washer - .010"	
	2-199-6	Shim Washer - .012"	
	-----	(Breaker End Bearing)	
14	2-202	Bearing-Magnet, Bkr End	
15	10-88543-1	Cam - Breaker	
16	10-51354	Washer-Plain (Cam Screw)	
18	10-35936-10	Screw - Cam	
19	10-357164	Coil	
20	10-50765	Clamp - Coil Core	
21	-----	Washer - Lock	
22	10-35937-8	Screw - Coil Core Clamp	
23	10-5752	Clip - Primary Lead	
24	10-16479	Screw	
25	-----	Housing - Distributor	
26	10-157135	Plug - Distributor Housing	
27	-----	Bushing - Ground Terminal	
28	10-52949	Block - Distributor (S4)	
28A	10-52958	Block - Distributor (S6)	
29	10-50737	Spring-H.T. Cable Contact	

Ref. No.	Part No.	Description	Price Ea.
30	-----	Washer - Plain	
31	-----	Screw - Distributor Block	
32	10-357584	Gear-Distrib., Large (S4)**	
32A	10-357586	Gear-Distrib., Large (S6)***	
33	10-50752	Washer - Felt	
35	10-92815-37	Ring-Retain. (Distrib., Gear)	
36	10-9595	Brush - Carbon	
37	10-157158	Screw	
38	-----	Breaker Assembly*	
39	10-14268	Washer - Plain	
40	10-35936-6	Screw	
41	-----	Washer - Lock	
42	-----	Screw - Lead to Breaker	
43	10-51676	Condenser	
44	-----	Cover - Breaker	
45	10-157161	Screw - Breaker Cover	
46	10-51678	Oil Slinger - Drive Shaft	